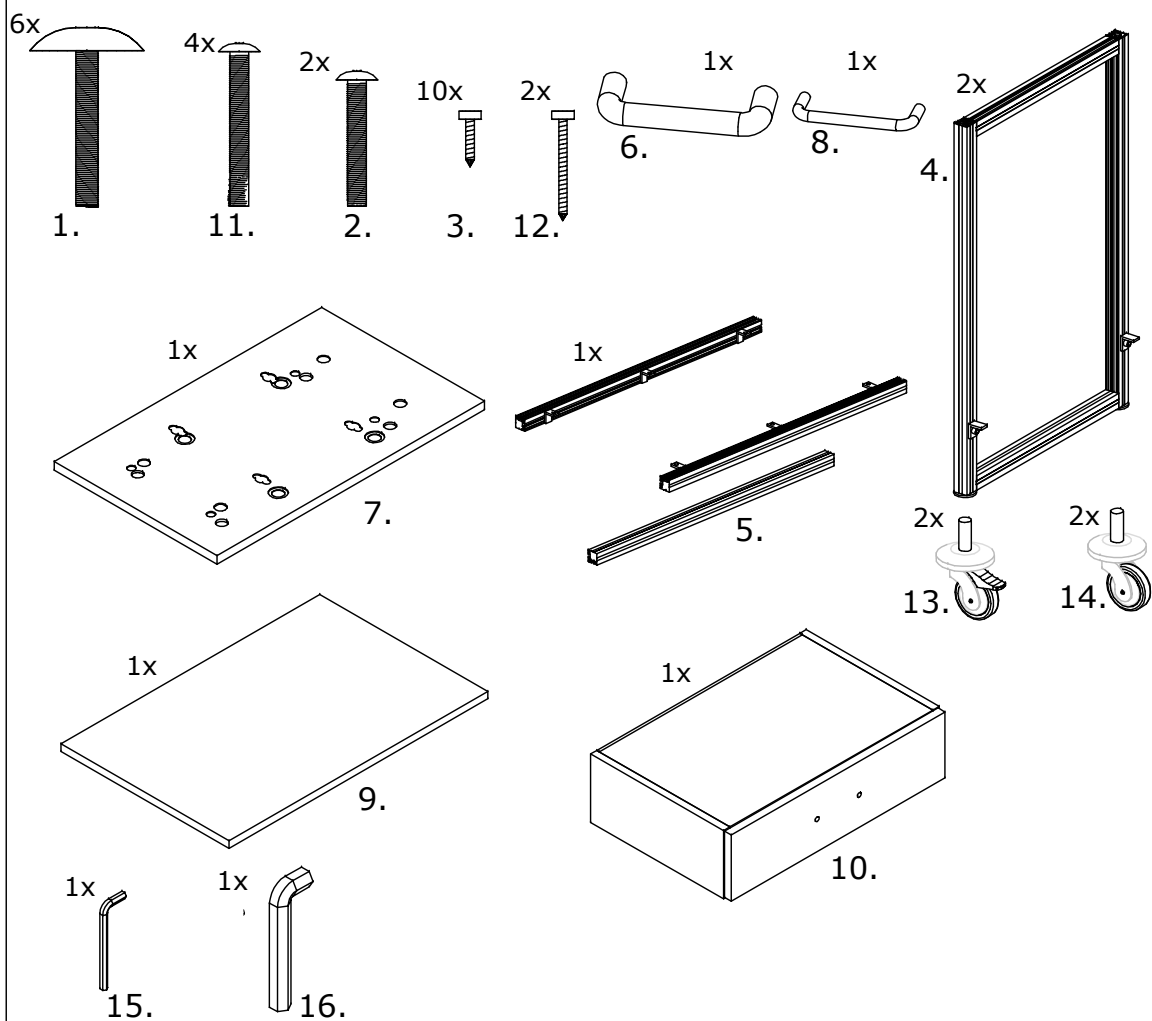
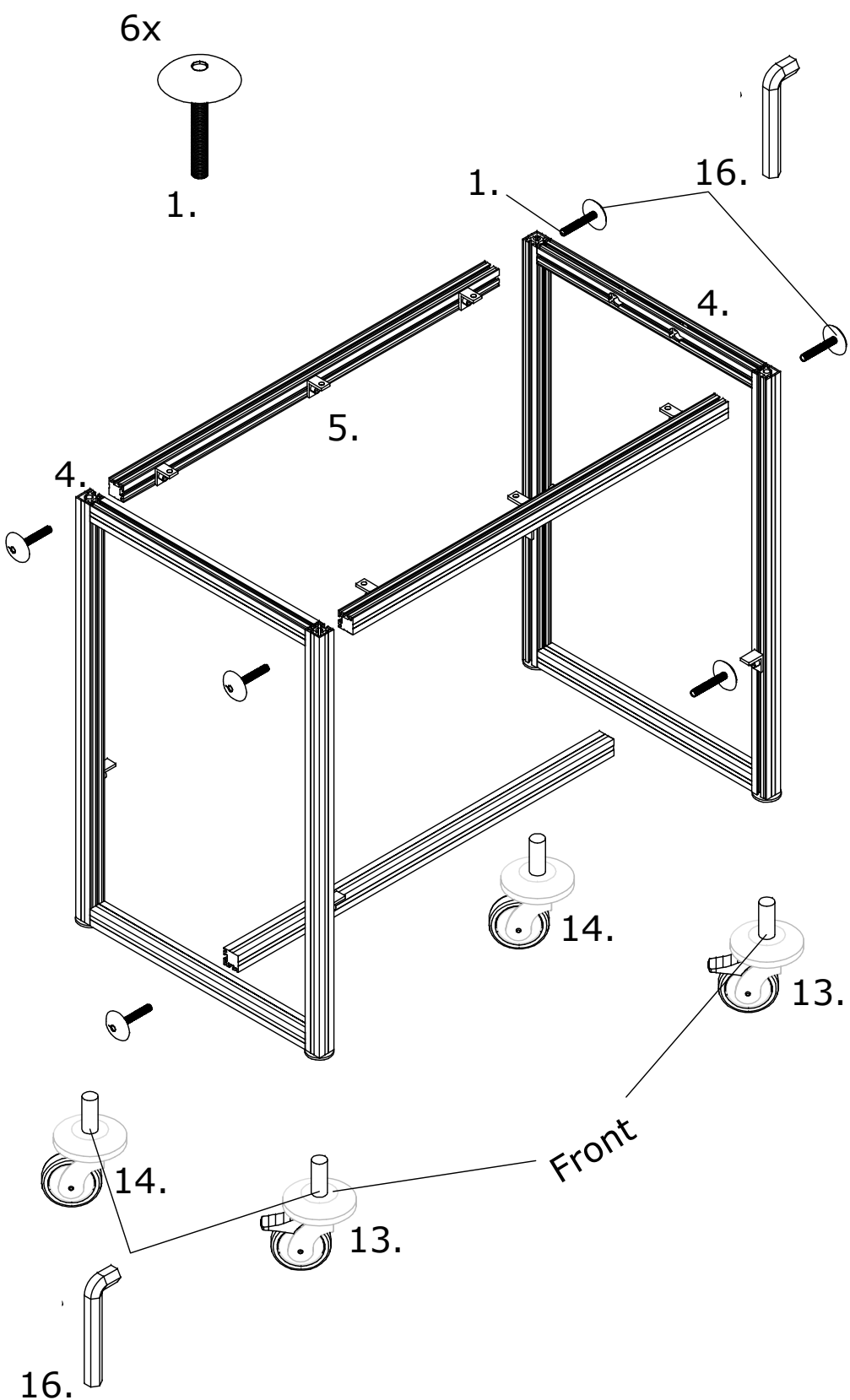


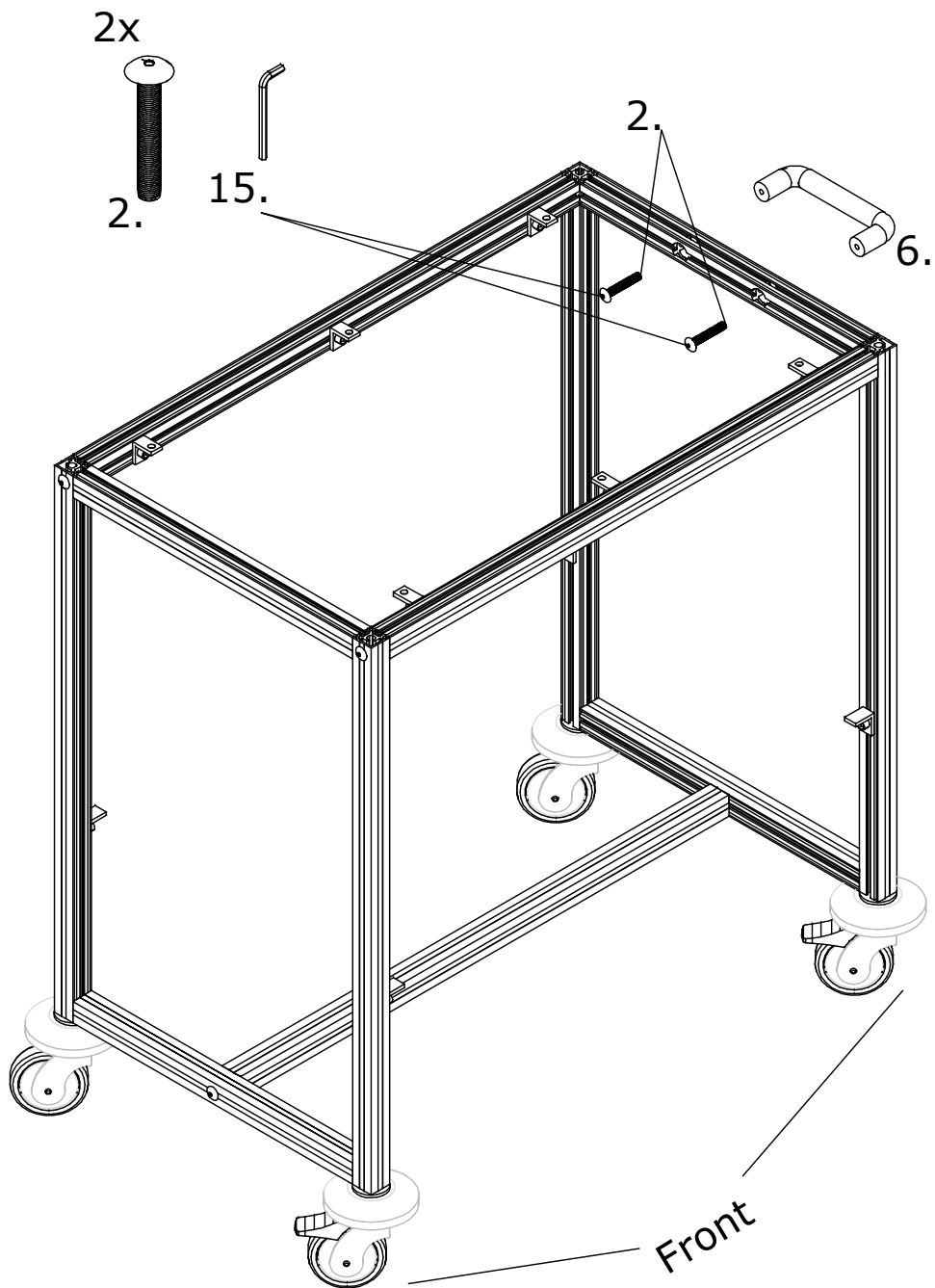
# Baby Scale Cart 403



1

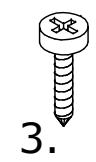


2

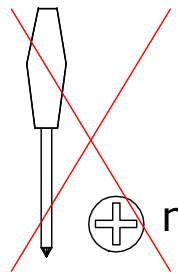
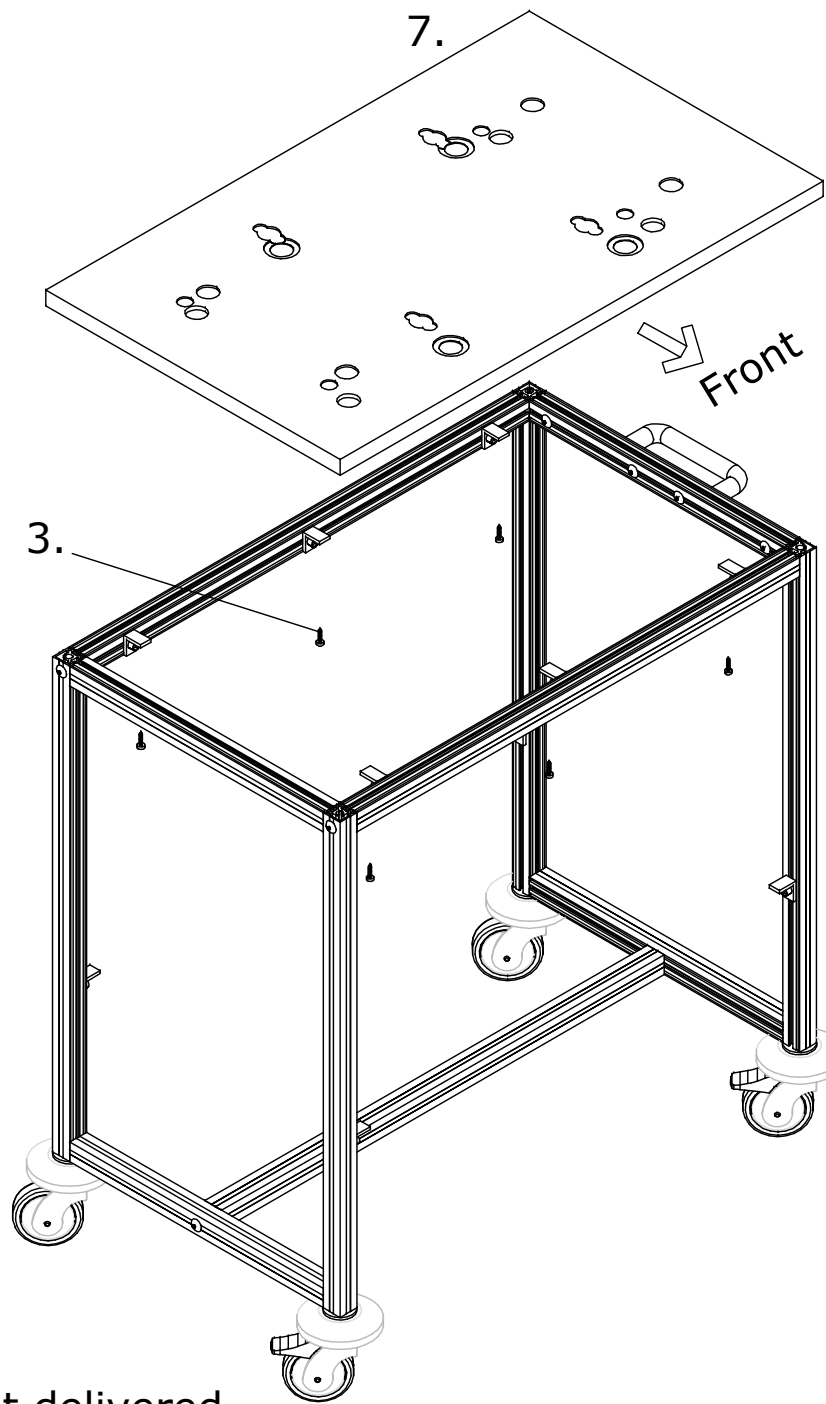


3

6x



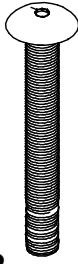
3.



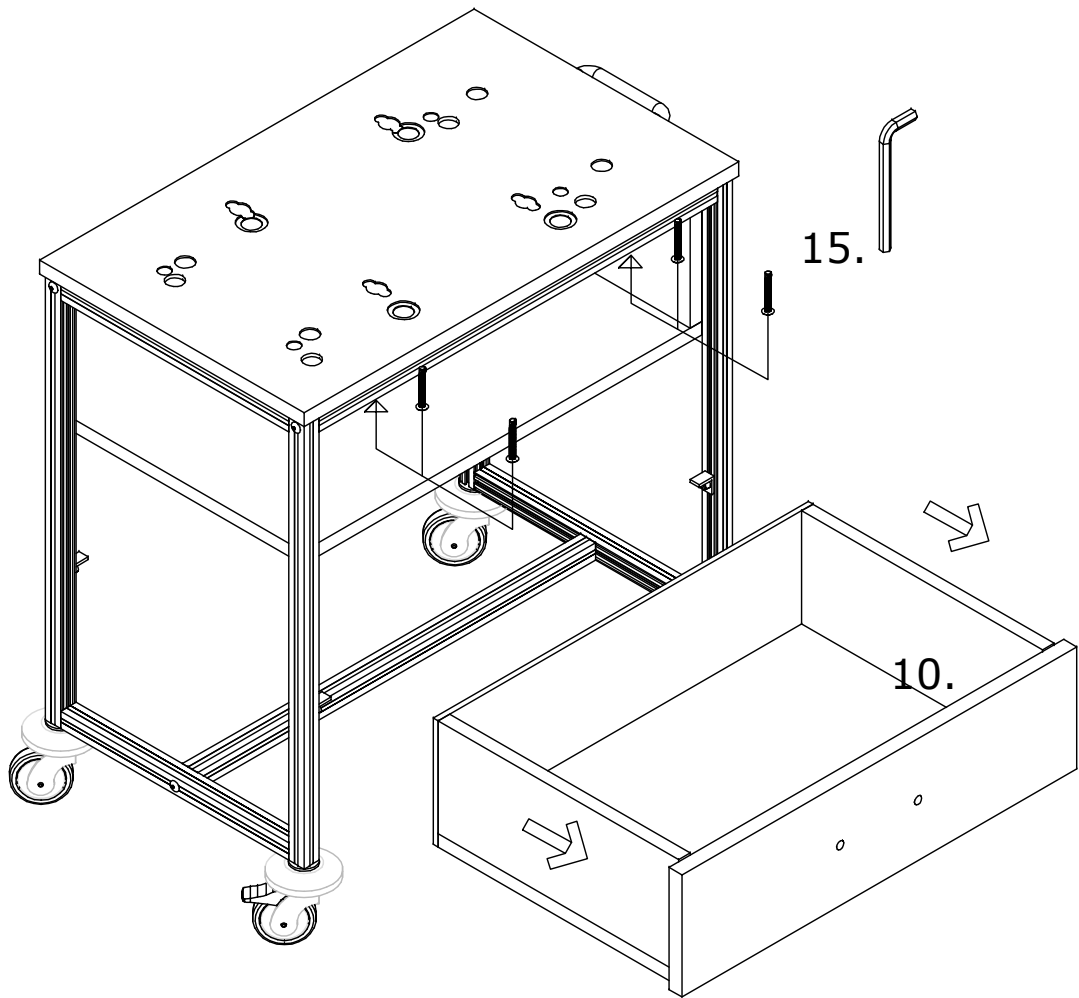
⊕ not delivered

4

4x

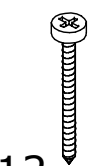


3.

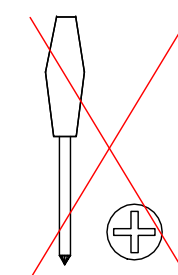
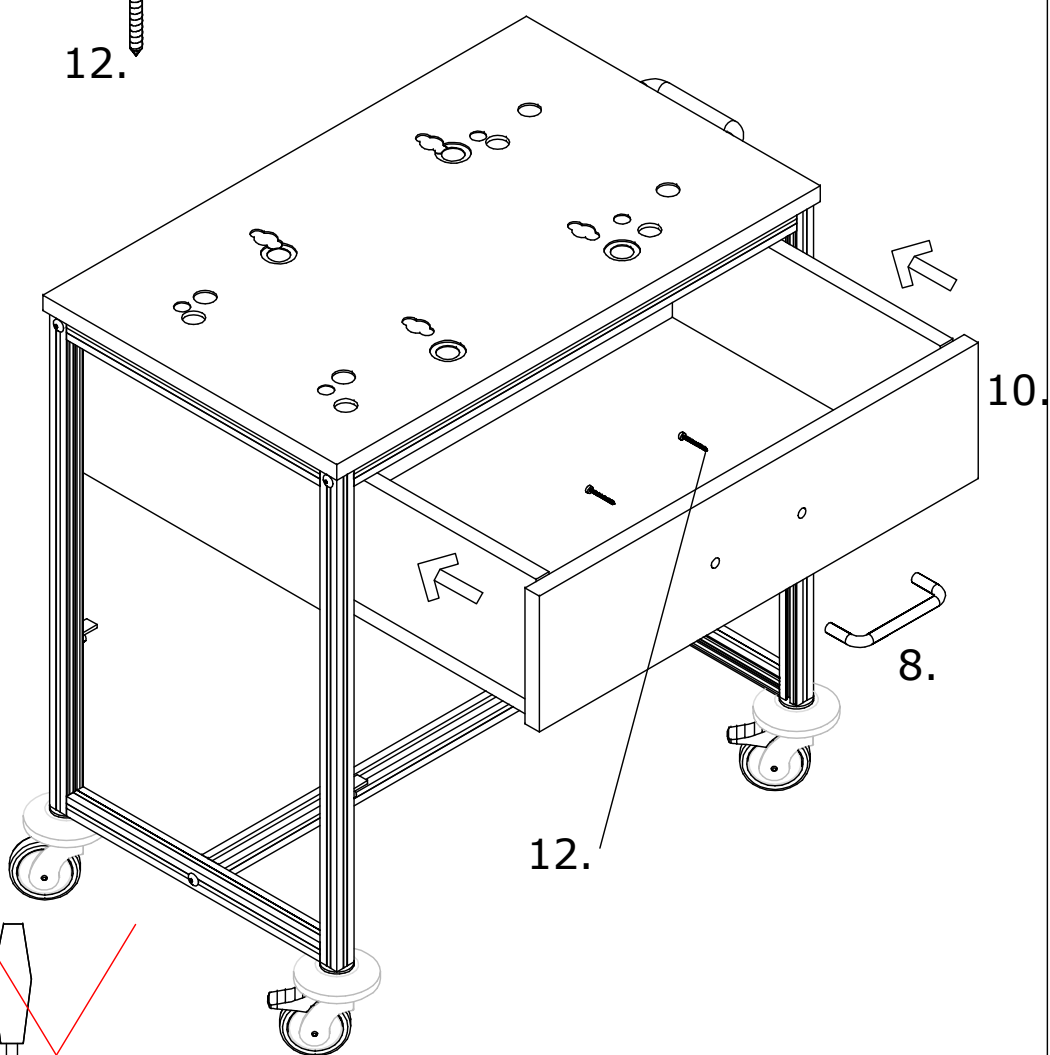


5

2x



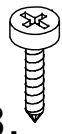
12.



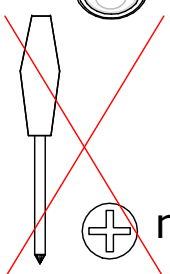
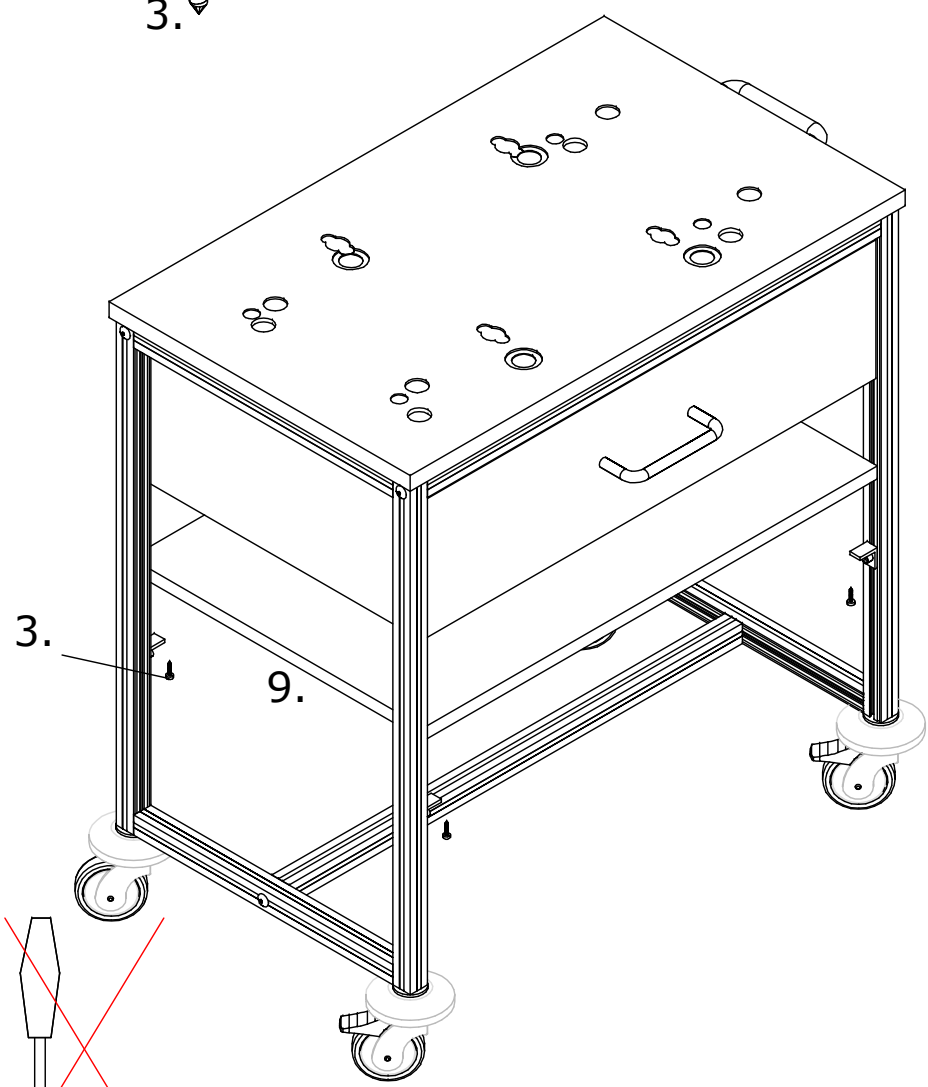
⊕ not delivered

6

4x

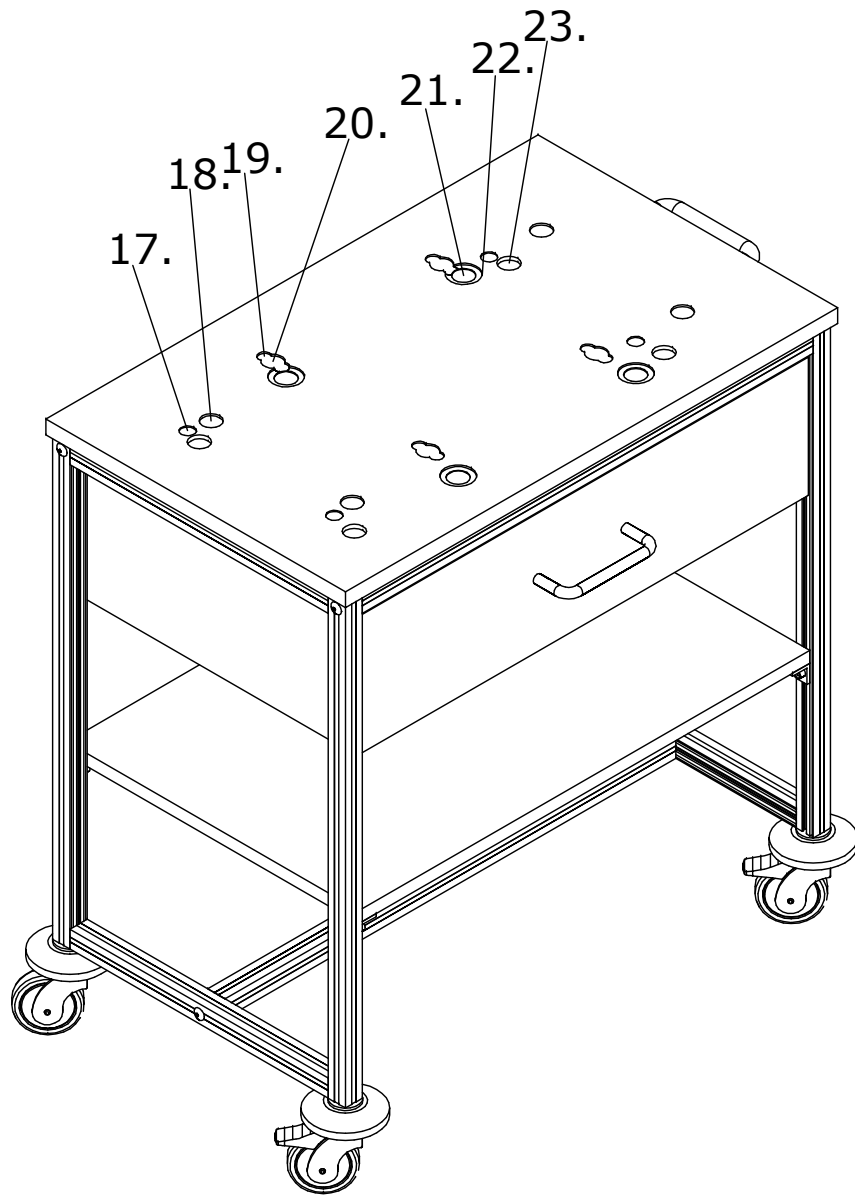


3.



⊕ not delivered

# 7



- 17. scale model seca 334/335
- 18. scale model seca 374/376/378
- 19. scale model seca 354/382/383/833/834/835
- 20. scale model seca 384/385
- 21. scale model seca 727/728
- 22. scale model seca 757/717
- 23. scale model seca 336

Medical  
Measuring Systems  
and Scales  
since 1840

seca gmbh & co.kg  
Hammer Steindamm 9-25  
22089 Hamburg Germany

Telephone +49 40 20 00 00 0  
Fax +49 40 20 00 00 50

info@seca.com  
All contact data under [www.seca.com](http://www.seca.com)